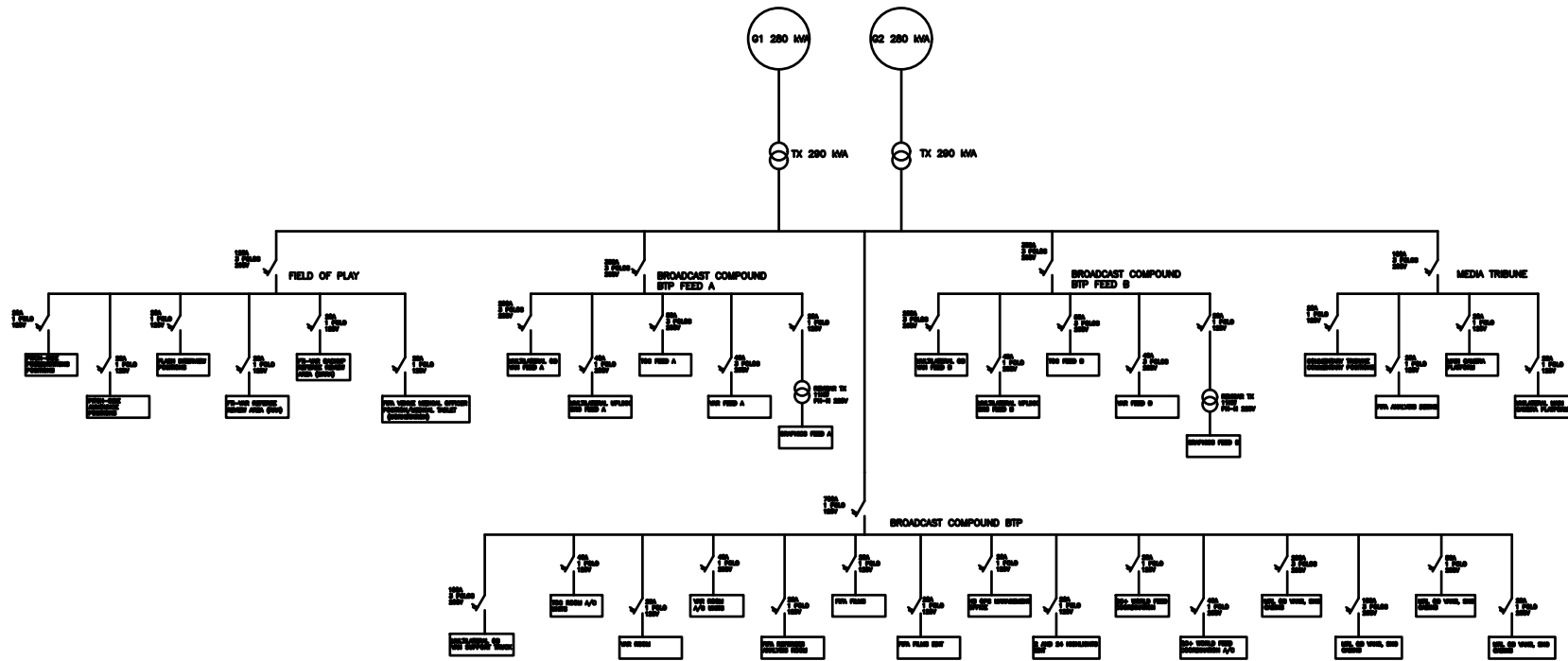


SINGLE LINE DIAGRAM ENS



SINGLE LINE DIAGRAM MSS

